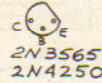
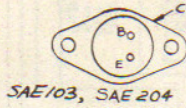
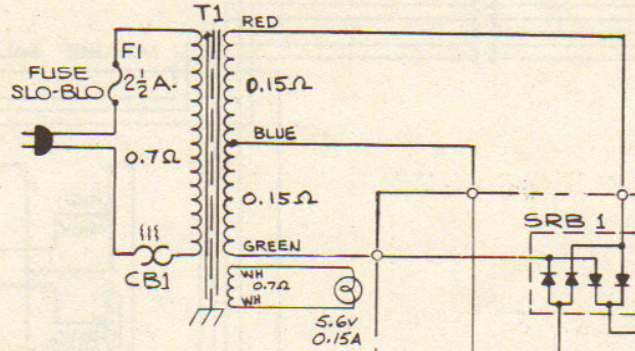
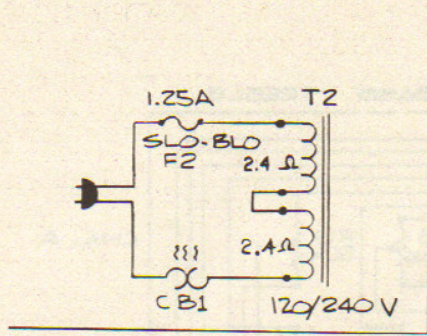


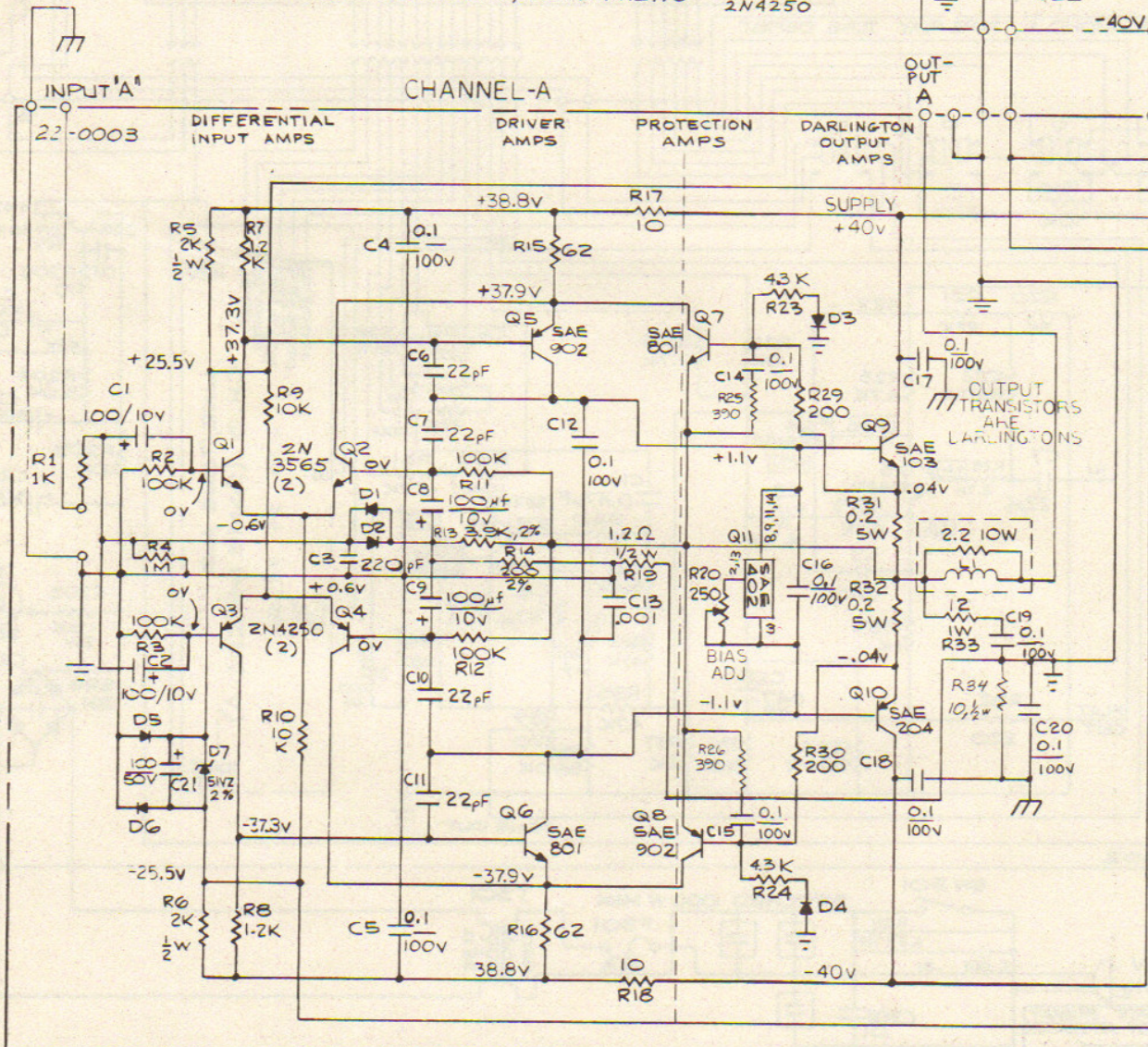
NOTES:

ALL RESISTORS TO BE $\frac{1}{3}$ W. 5% UNLESS NOTED.

ALL CAPACITORS TO BE MICRO FARADS (μ F) UNLESS NOTED



SEMICONDUCTORS, BOTTOM VIEWS

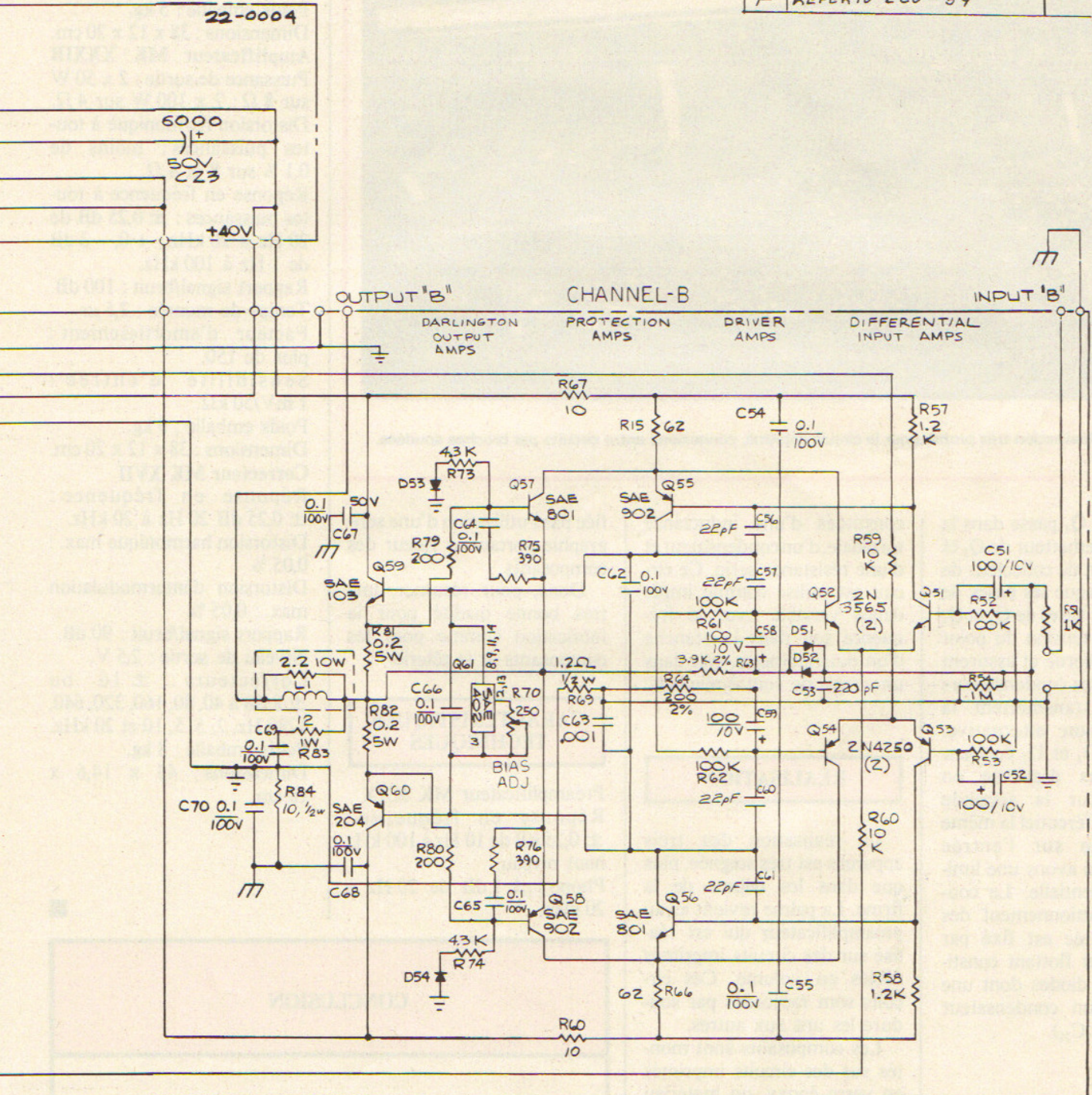


NOTES:

1. ALL DIODES SIMILAR TO IN4148/IN914.
2. D5, D6, D7 & C22 & R5, R6 COMMON TO BOTH CHANNELS.
3. C21 MAY BE OMITTED FROM CERTAIN UNITS.

4 - VOLTAGE VALUES GIVEN A

SYM	REVISION
A	CHANGED Q5,6,7,8 ON BOTH CHANNELS.
B	R27 WAS 300Ω.
C	ADDED P.C.#1598
D	R19 WAS 2.2Ω
E	R34 WAS ADDED 10Ω 1/2W
F	REFER TO ECO #59



RE AT 15mA QUIESCENT CURRENT.